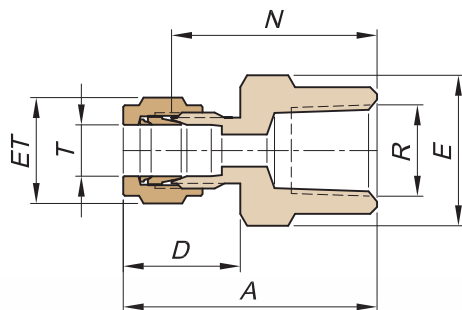


## RH recto hembra

### Dimensiones para el montaje

Modelo	T Tubo OD	R NPT	DIMENSIONES ( MM )				
			A	D	E	ET	N
RH 1-1-	1/8	1/8	33.0	17.0	14.3	11.1	25.0
RH 1-2-	1/8	1/4	37.0	17.0	19.1	11.1	29.0
RH 1-4-	1/8	1/2	43.3	17.3	27.0	11.1	35.0
RH 2-1-	1/4	1/8	34.7	19.2	15.8	14.3	26.5
RH 2-2-	1/4	1/4	39.2	19.2	19.1	14.3	31.0
RH 2-3-	1/4	3/8	39.2	19.2	22.2	14.3	31.0
RH 2-4-	1/4	1/2	44.2	19.2	27.0	14.3	36.0
RH 3-1-	3/8	1/8	35.6	21.1	15.8	17.3	26.5
RH 3-2-	3/8	1/4	41.1	21.1	19.1	17.3	32.0
RH 3-3-	3/8	3/8	41.1	21.1	22.2	17.3	32.0
RH 3-4-	3/8	1/2	46.1	21.1	27.0	17.3	37.0
RH 4-2-	1/2	1/4	44.0	24.0	22.2	22.2	32.0
RH 4-3-	1/2	3/8	44.0	24.0	22.2	22.2	32.0
RH 4-4-	1/2	1/2	49.0	24.0	27.0	22.2	37.0
RH 4-6-	1/2	3/4	49.6	23.5	34.9	22.2	38.1
RH 5-4-	5/8	1/2	49.7	23.7	27.0	25.4	39.0
RH 6-4-	3/4	1/2	50.6	24.6	27.0	28.6	39.2
RH 6-6-	3/4	3/4	55.4	27.1	34.9	28.6	41.5
RH 8-8-	1	1	64.3	28.1	41.3	38.1	50.7



## CONTÁCTANOS

 Lautaro 2083 2097  
Lote 5, Concepción

 [ventas@wenganindustrial.cl](mailto:ventas@wenganindustrial.cl)

 +56 9 8731 4484

 [www.wenganindustrial.cl](http://www.wenganindustrial.cl)

SÍGUENOS EN  
REDES SOCIALES

