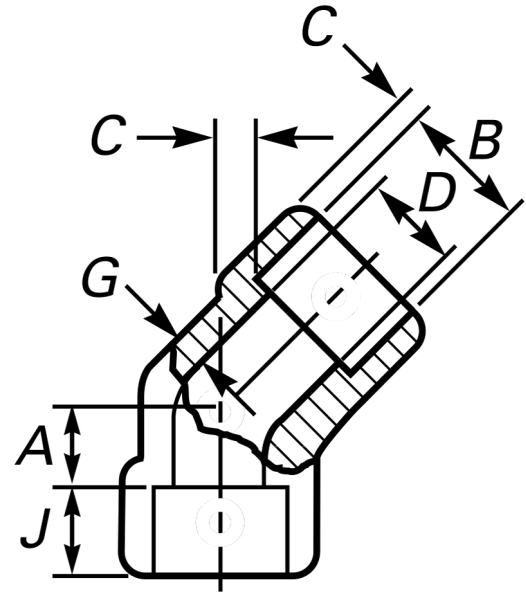


45° ELBOW FORGED STEEL ASTM A105 CLASS 3000 SW



Design: ANSI B16.11
Socket Welding
Material: Forged Steel ASTM A105
Class: 3000
Correlation: Schedule 80 / XS

Units: Millimeters (mm)

Nominal Pipe Size	Socket Bore Diameter, B		Bore Diameter of Fittings, D		Socket Wall Thickness, C [Note 1]		Min. Body Wall G	Min. Depth of Socket, J	Center to Bottom of Socket, A	Tolerances +- A	Approx. Weight kg
	Max.	Min.	Max.	Min.	Avg.	Min.					
1/8"	11.2	10.8	7.6	6.1	3.18	3.18	2.41	9.5	8.0	1.0	0.10
1/4"	14.6	14.2	10.0	8.5	3.78	3.30	3.02	9.5	8.0	1.0	0.09
3/8"	18.0	17.6	13.3	11.8	4.01	3.50	3.20	9.5	8.0	1.5	0.10
1/2"	22.2	21.8	16.6	15.0	4.67	4.09	3.73	9.5	11.0	1.5	0.19
3/4"	27.6	27.2	21.7	20.2	4.90	4.27	3.91	12.5	13.0	1.5	0.32
1"	34.3	33.9	27.4	25.9	5.69	4.98	4.55	12.5	14.0	2.0	0.43
1 1/4"	43.1	42.7	35.8	34.3	6.07	5.28	4.85	12.5	17.5	2.0	0.63
1 1/2"	49.2	48.8	41.6	40.1	6.35	5.54	5.08	12.5	20.5	2.0	0.76
2"	61.7	61.2	53.3	51.7	6.93	6.04	5.54	16.0	25.5	2.0	1.34
2 1/2"	74.4	73.9	64.2	61.2	8.76	7.67	7.01	16.0	28.5	2.5	3.52
3"	90.3	89.8	79.4	76.4	9.52	8.30	7.62	16.0	32.0	2.5	3.88
4"	115.7	115.2	103.8	100.7	10.69	9.35	8.56	19.0	41.0	2.5	10.91

CONTÁCTANOS

Lautaro 2083 2097
Lote 5, Concepción

ventas@wenganindustrial.cl

+56 9 8731 4484

www.wenganindustrial.cl

SÍGUENOS EN
REDES SOCIALES



@wenganindustrialtda