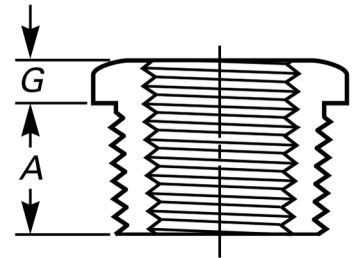
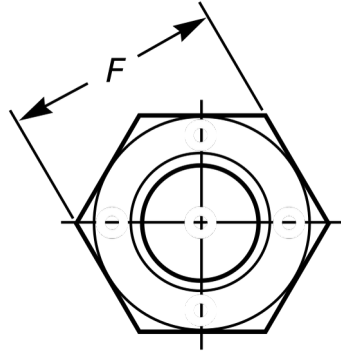
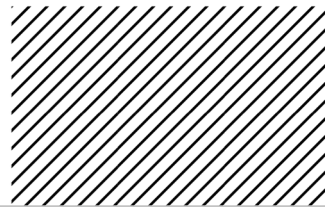


BUSHING FORGED STEEL ASTM A105 CLASS 3000/6000 NPT




Design: ANSI B16.11
Threaded: NPT ANSI B1.20.1
Material: Forged Steel ASTM A105
Class: 3000/6000
Correlation:
 Schedule 160 / Wall Designation XXS



Units: Millimeters (mm)

Nominal Pipe Size	Min. Length A	Nominal Width Flats, F	Min. Hex Height, G	Approx. Weight (kg)
inch				
1/8"	10	11.11	-	0.01
1/4"	11	15.88	3	0.01
3/8"	13	17.46	4	0.02
1/2"	14	22.23	5	0.03
3/4"	16	26.99	6	0.05
1"	19	34.93	6	0.10
1 1/4"	21	44.45	7	0.17
1 1/2"	21	50.80	8	0.17
2"	22	63.50	9	0.35
2 1/2"	27	76.20	10	0.59
3"	28	88.90	10	1.71
4"	32	117.48	13	3.32

CONTÁCTANOS

 Lautaro 2083 2097
Lote 5, Concepción

 ventas@wenganindustrial.cl

 +56 9 8731 4484

 www.wenganindustrial.cl

SÍGUENOS EN
REDES SOCIALES

